

The background features a dark blue field with a series of curved, glowing lines that create a sense of depth and movement. On the right side, there is a grid-like pattern of light blue lines that recedes into the distance, suggesting a digital or data environment.

Kardan University

Data Communication

DFS

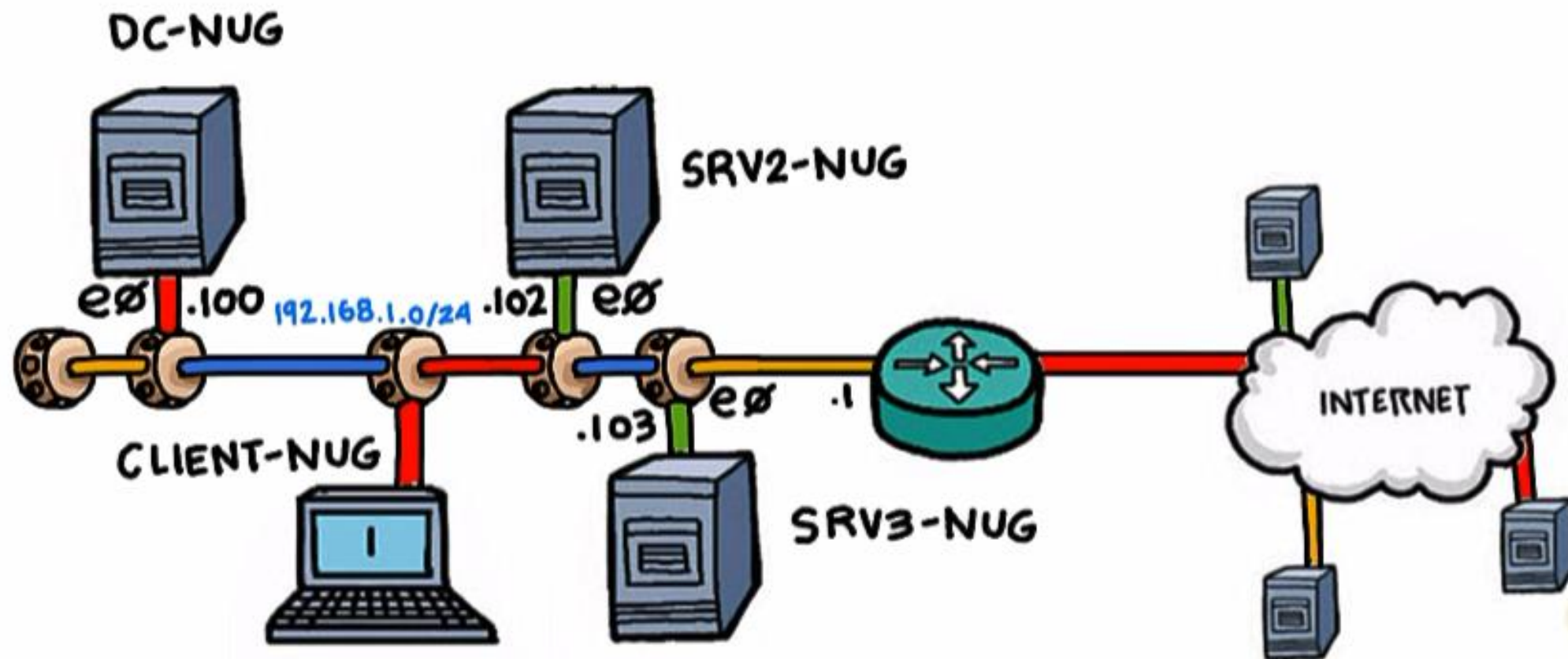
Outline

- **DFS namespace**
- **DFS installation**
- **DFS configuration**

DFS

- DFS: Distributed File System
- The DFS is a virtualized representation of shared folders and folder structure in a single namespace.
- We have shared folders on multiple servers, but we can use DFS to allows clients to access all shared folders from all servers in a single folder called DFS namespace.

Scenario



DFS Installation

```
Get-WindowsFeature -ComputerName DC-NUG FS-DFS*  
Invoke-Command -ComputerName DC-NUG -command {Install-WindowsFeature FS-DFS-Namespaces -IncludeManagementTools}  
Invoke-Command -ComputerName SRV2-NUG,SRV3-NUG -Command {Install-WindowsFeature FS-DFS-Replication}  
Get-WindowsFeature -ComputerName SRV2-NUG FS-DFS*  
Get-WindowsFeature -ComputerName SRV3-NUG FS-DFS*
```

```
net use P: \\192.168.20.1\SharedData
```

Steps

- OU Structure
- Folder structure
- Install DFS
- Create DFS namespace
- Add folders to the DFS namespace
- Configure DFS replication
- Access DFS namespace and Map network Drive (GUI)
- Map Network Drive using GPO

References

THANK YOU